



Part Number MET0000047

Galvanised Steel Heavy Duty General Purpose Pallet box IBC (900Ltr).

Bag in Box Technology.

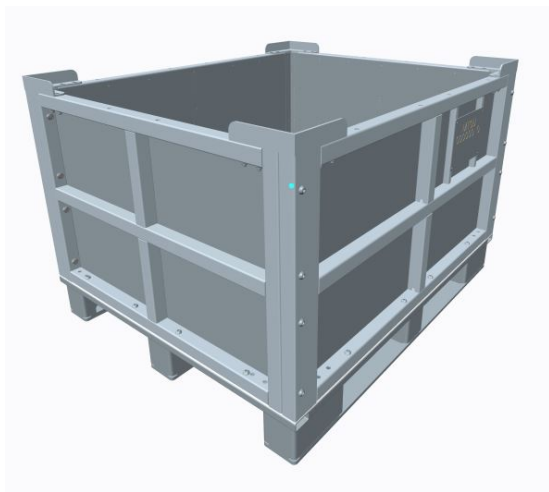
Rental Only.

For the transport and storage of non Hazardous dry goods. Food Stuffs, Non Hazardous dry applications and more.....

Description

Galvanised Steel IBC (900Ltr) Heavy Duty General Purpose Pallet box IBC. Automotive, Food, Chemical, Coatings, Waste industry and more.....

Low working height, Forklift, Pallet truck, Racking, can be inverted using rotator. Heavy duty Dolav alternative H775mm x L1200mm x W1000mm



Model	MB
Part Number	MET0000047
Capacity	900
Dimensions External (mm)	H:775 x L:1200 x W:1000
Dimensions Folded (mm)	H:0 x L:0 x W:0
Tare Kg	180
Gross Weight Kg	0
Max S.G	0
Base Slope	0 deg
UN Packaging Group	N/A
Test Pressure	0
Max Working Pressure	0
Vaccum	0
Construction	Galvanised Mild Steel
<u>Transport and storage</u>	
Warehouse Store	
Stack Qty Full	4
Stack Qty Empty (Folded)	4
<u>40 ft Taut liner</u>	
Stack Qty Full	3



Stack Qty Empty (Folded)	3
Shipping Container	
Stack Qty Full	2
Stack Qty Empty (Folded)	2

Construction

Heavy duty Galvanised steel construction, manufactured from heavy gauge steel for the most demanding environments.

Handling

Forklift truck and pallet truck, Forklift rotator (can be inverted.)

Transport

The dimensions of H775mm x L1200mm x W1000mm and a flat base make this ideally suited to heavy dry goods.

Storage

Pallet Racking compatible

Self stacking

Advantages

The MB Galvanised Steel Heavy Duty General Purpose Pallet box IBC. Is a low cost rental option for the transport and storage of dry goods.

The MB has a capacity of over 900 litres, is built to last and has unrivalled strength.

Excellent alternative to the plastic Dolav container.

Boltyed construction, no assembly required.

Large outlets aid product discharge.

Metano Liquid Liners

Open top liners available in 3 ply LLDPE, can be manufactured with intermediate barrier layers if required.

All Liners are manufactured by Metano to the highest standards in our BRC approved ISO validated clean room.

All Metano rental units are reusable and can be recycled at the end of life. Metano can offer a truly sustainable cradle to grave rental solution for all your liquid packaging needs.

Can be inverted using a forklift rotator, ideal for waste streams.