



**Part Number MET0000046**

**GLCS Galvanised Steel Folding IBC (500 Ltr).**

Bag in Box Technology.

Rental Only.

For the transport and storage of non Hazardous Liquids. Food Stuffs, Non Hazardous Chemical applications and more.....

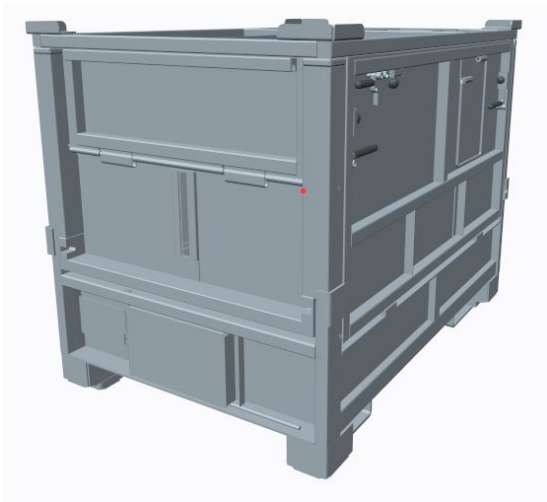
**Description**

Galvanised Steel Folding IBC (500Ltr) Bag in Box Technology

7 degree sloped base for liquid products, compatible with 2" and 3" liquid Liners. Food Stuffs, Non Hazardous Chemical applications and more.....

Forklift, Pallet truck, Racking.

H920mm x L1200mm x W800mm



<b>Model</b>	GLCS
<b>Part Number</b>	MET0000046
<b>Capacity</b>	500
<b>Dimensions External (mm)</b>	H:920 x L:1200 x W:800
<b>Dimensions Folded (mm)</b>	H:450 x L:1200 x W:800
<b>Tare Kg</b>	140
<b>Gross Weight Kg</b>	764
<b>Max S.G</b>	1.5
<b>Base Slope</b>	7 deg
<b>UN Packaging Group</b>	N/A
<b>Test Pressure</b>	0
<b>Max Working Pressure</b>	0
<b>Vaccum</b>	0
<b>Construction</b>	Galvanised Mild Steel
<b><u>Transport and storage</u></b>	
<b>Warehouse Store</b>	
<b>Stack Qty Full</b>	4
<b>Stack Qty Empty (Folded)</b>	8
<b><u>40 ft Taut liner</u></b>	



Stack Qty Full	2
Stack Qty Empty (Folded)	5
<u>Shipping Container</u>	
Stack Qty Full	2
Stack Qty Empty (Folded)	5

**Construction**

Heavy duty Galvanised steel construction, manufactured from heavy gauge steel for the most demanding environments.

**Handling**

Forklift truck and pallet truck. Optional fork-loop arrangements available.

**Transport**

The dimensions of H920mm x L1200mm x W800mm (Euro Pallet Base) and a 7 degree slope make this unit ideally suited to product that flows easily.

**Storage**

Pallet Racking compatible  
Self stacking

**Advantages**

The GLCS Galvanised Steel foldable bag-in-box is a low cost rental option for the transport and storage of liquid products such as SCM, fruit juice, dairy products and cosmetics.

The GLCS has a capacity of over 500 litres, is built to last and has unrivalled strength.

Easy to assemble, fill and discharge.

Large outlets aid product discharge.

**Metano Liquid Liners**

2" and 3" cutter membrane and 2" and 3" butterfly valve liners. Available in 3 ply LLDPE, can be manufactured with intermediate barrier layers if required.

All Liners are manufactured by Metano to the highest standards in our BRC approved ISO validated clean room.

All Metano rental units are reusable and can be recycled at the end of life. Metano can offer a truly sustainable cradle to grave rental solution for all your liquid packaging needs.

Contact Metano Today for a rental Quote.